

VC-MP-T4-Z

Order No.: 1884924

The illustration shows version VC-MP-T3-Z



<http://eshop.phoenixcontact.de/phoenix/treeViewClick.do?UID=1884924>

Metal sleeve housing, powder-coating, locking screws with cylindrical head, type 4, cable screw connection Pg21

Commercial data	
EAN	4017918187057
Pack	5 Pcs.
Customs tariff	85369010
Weight/Piece	0.3693 KG
Catalog page information	Page 301 (PC-2007)

Product notes

WEEE/RoHS-compliant since:
01/09/2006



<http://www.download.phoenixcontact.com>
Please note that the data given here has been taken from the online catalog. For comprehensive information and data, please refer to the user documentation. The General Terms and Conditions of Use apply to Internet downloads.

Technical data**General characteristics**

Note	When using fiber optics, the bending radii of the cable manufacturers must be observed.
Design	VC 4
Degree of protection	IP65/IP66/IP67
Type of the screw connection	1x Pg21
Pg screw connection	None
Height	75 mm
Cable exit	Lateral
Number of module slots	5
Housing material	Zinc die-cast
Housing surface material	Powder coating
Seal material	EPDM
Ambient temperature (operation)	-40 °C ... 125 °C

Accessories

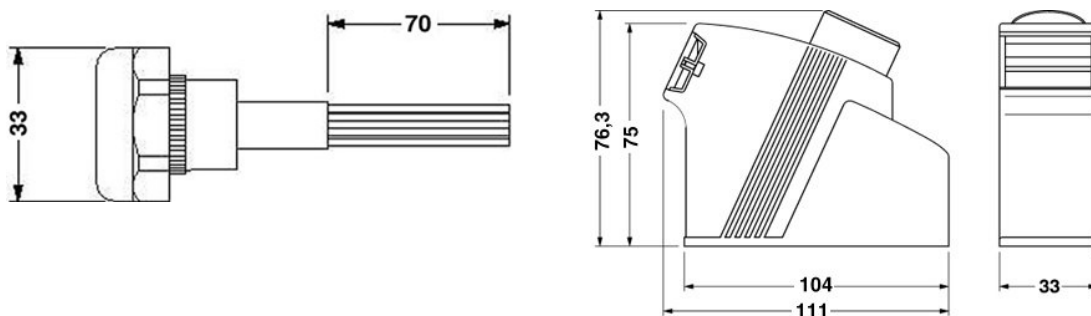
Item	Designation	Description
------	-------------	-------------

Marking

1852875	VC-BZS WH	Marker labels, unprinted, 5-section, for individual labeling with M-PEN or CMS system, white
---------	-----------	--

Drawings

Dimensioned drawing



Address

PHOENIX CONTACT GmbH & Co. KG
Flachsmarktstr. 8
32825 Blomberg, Germany
Phone +49 5235 3 00
Fax +49 5235 3 41200
<http://www.phoenixcontact.de>



© 2008 Phoenix Contact
Technical modifications reserved;